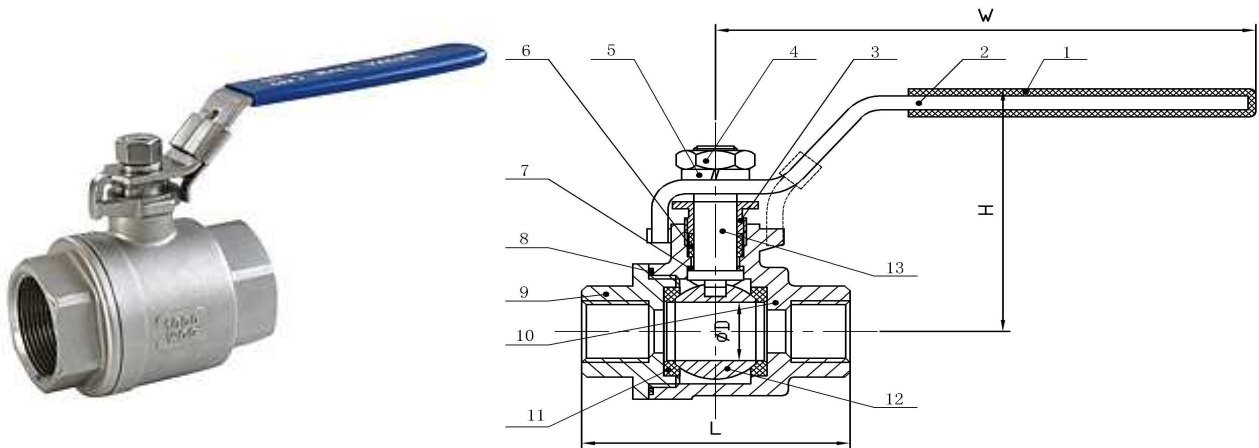




# Cangzhou Changyuan Fittings Co.,ltd

Add:No.26 Shigang Road,Development Zone,Cangzhou ,Hebei,China

[Http://www.con-well.com](http://www.con-well.com) email:con-well@vip.163.com



## 2PC BALL VALVE NORMAL TYPE II (FULL PORT) (mm)

DN	G	D	L	H	W	EX	Unit weight(KG)	Qty/ Carton
8	1/4"	9.00	48.00	46.00	100.00	17.00		
10	3/8"	12.50	48.00	47.00	100.00	20.50		
15	1/2"	15.00	56.00	48.00	100.00	25.00		
20	3/4"	20.00	64.00	57.50	112.00	30.00		
25	1"	25.00	76.00	61.00	112.00	37.00		
32	1 1/4"	32.00	86.50	77.50	145.00	46.50		
40	1 1/2"	38.00	97.50	82.00	145.00	53.00		
50	2"	50.00	117.50	98.00	165.00	65.00		
65	2 1/2"	65.00	144.00	118.00	230.00	81.50		
80	3"	76.00	165.00	127.50	230.00	95.00		
100	4"	94.00	206.00	170.00	300.00	121.50		

### MATERIAL LIST

ITEM	DESCRIPTION	MATERIAL
1	PLASTIC COVER	PLASTIC
2	HANDLE	304/201
3	GLAND NUT	304
4	STEM NUT	304
5	THRUST WASHER	304
6	STEM PACKING	PTFE
7	STEM SEAL	PTFE
8	BODY SEAL	PTFE
9	CAP	CF8/CF8M
10	BODY	CF8/CF8M
11	BALL SEAT	RPTFE
12	BALL	304/316
13	STEM	304

### FEATURES:

- Handle with lock can be choiced.
- Working pressure:1000PSI(PN64).
- Working temperature:-10℃ to 150℃.
- Suitable medium:W.O.G.
- Thread: BSP,BSPT,DIN,NPT.
- PED97/23/EC(CE0038)Approved.
- Inspection Testing:API598,EN12266.